



# BAR-M water meter

## BAR-M water meters

The Bermad BAR-M water meters based on the Woltman principle are, due to their robust design, particularly suited to handle high flow rates. They are used for applications in industry, waterworks, and irrigation systems. The BAR-M water meter is a wear-resistant and easy-to-maintain product.

### Product features:

- Magnetically coupled drive fully separated from the flowing water
- Dry register and airtight
- Low pressure loss
- Interchangeable register

### Mechanical register BAR-M:

- Analogous counters
- Flow display
- Leak indicator
- Optional: 1 pulse (reed switch)

### Specifications:

- Sizes: 1½" - 20"; DN40 - DN500
- Working pressure: 0 - 16 bar
- Max. Temperature: 50 °C
- Connection: ISO flange
- Pressure class: ISO PN16 (8" and above PN10 flange - optional PN16)
- Approvals: IP 68, ISO4064 class B-H/EEC, MID 2004/22/EEC (EEC 2" to 12")

### Materials:

- Body and cover: cast iron with polyester coating
- Register: plastic and glass
- Internal components: plastic and stainless steel

## Magnetic Register

Output Type	
Dry contact output	

Cable Characteristic		
	Wire	Function
Output Cable	Red	Pulse Out 2
	Black	GND/Common

Output Characteristics		
Cable Length - supplied	1.5	meter
Maximum Cable Length	50	meter
Maximum Applied Voltage	24	AC/DC Max
Switch Current	0.01	A max



Turbo-Bar-M Register



**MID  
APPROVED**



Subject to modifications. No liability accepted for errors or misprints



# BAR water meter

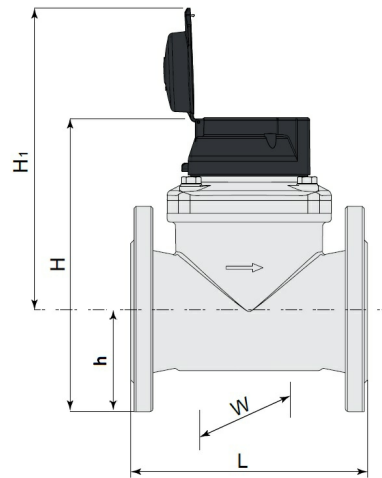
## Technical data

Models		1½"	2"	2½"	3"	4"	5"	6"	8"	10"	12"	16"	20"
DN	mm	40	50	65	80	100	125	150	200	250	300	400	500
Nom. capacity Q <sub>nom</sub> Q <sub>n</sub>	m³/h	25	40	63	63	100	160	250	400	630	1000	1600	2500
Transitional capacity Q <sub>t</sub>	m³/h	0,8	0,8	1,3	1,3	2	3,2	5	8	12,6	20	51	80
Min. capacity Q <sub>min</sub>	m³/h	0,5	0,5	0,8	0,8	1,3	2	3,1	5	8	12,5	32	50
Max. capacity peak Q <sub>max</sub>	m³/h	31	50	79	125	200	200	313	500	788	1250	2000	3125
Flange ISO PN16 bolt cir. dia.	mm	110	125	145	160	180	210	240	295*	355*	410*	525*	650*
Flange ISO PN10 bolt cir. dia.	mm	-	-	-	-	-	-	-	295	350	400	515	620
Length L	mm	260	200	200	225	250	250	300	350	450	500	500	500
Height H	mm	268	275	285	295	304	318	366	393	512	534	669	765
Height H1	mm	338	345	355	365	374	388	436	463	582	604	739	835
Height h	mm	68	75	85	95	104	118	135	162	194	216	304	355
Width W	mm	160	170	190	200	230	250	285	340	395	445	600	700
Weight	kg	13	12	14	16	19	20	39	52	105	120	187	256
Pulse 1/10 **		X	X	X	X	X	X						
Pulse 1/100		X	X	X	X	X	X	X	X				
Pulse 1/1.000 (1/1m³)		X	X	X	X	X	X	X	X				
Pulse 1/10.000 (1/10m³)								X	X	X	X	X	X

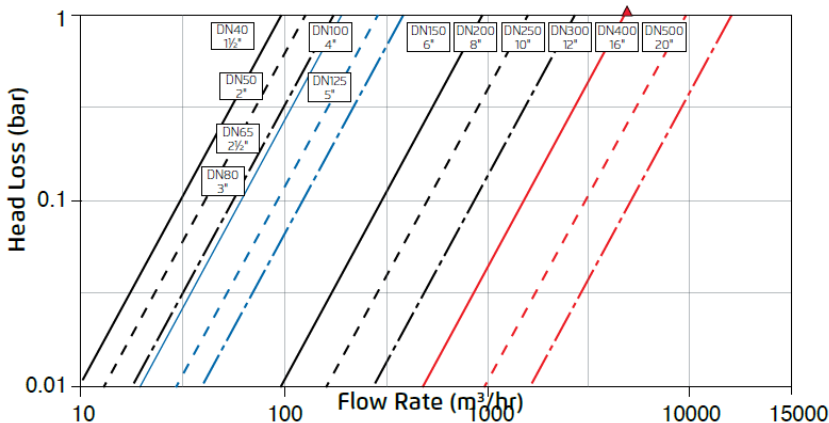
\*PN16 - 8" and higher optional - standard PN10  
 \*\*For a correct display of the pulses 1/10, the nominal flow should be adhered to.

### Reed switch:

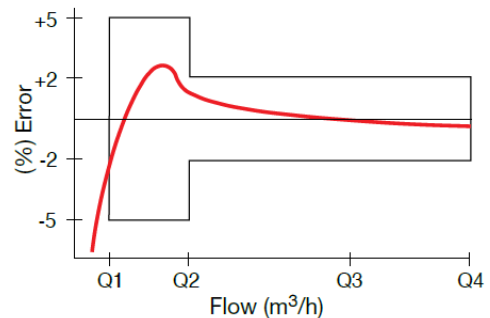
Cable: 2 wires, 1.5m long  
 Switch: single  
 Switching voltage: 24V AC/DC max.  
 Switching current: 0,01A max.



### Flow Curve



### Accuracy Curve



**UVAR**  
 Subject to modifications  
 No liability accepted for errors or misprints