

Benefits of UDI Galileo disc filters:

The **UDI Galileo L** automatic disc filter is composed of one or several filters whose filter element consists of plastic discs compressed on a variable holder. This flushing mechanism opens up the filter element during the flushing cycle. Filtration using a compressed pack of grooved filter discs, especially developed to better filter out organic dirt/waste from water, results in a better filtrate. Coarse particles of dirt are caught on the outside, while the finer dirt particles are trapped in the pack of discs on the grooves that have been applied crosswise on the filter discs. This leads to a degree of deep filtration which is comparable to sand-bed filtration.

During the flushing cycle, a powerful jet from a multi-jet nozzle system removes the dirt settled on and in the element from the lightly rotating, pressed-open filter discs. This results in complete cleaning with a minimum of flushing water. The shape and dimensioning of the unit can be adapted to any system. The **UDI Galileo L** is a fully automatic self-cleaning system. Due to the modular construction, it is possible to realise any capacity.

Product features:

- Small footprint
- Low filter volume
- Minimum flushing water loss
- Continuous service



Galileo L

UDI[®] Galileo L automatic disc filter

Technical data

filters

Applications:

- Pre-filtration of disinfection equipment
- Preparation for micro and ultra filtration
- Cooling water systems
- Water intake
- Recirculation systems
- Irrigation systems
- Post-filtration

Technical specifications / module:

- Filter surface: 1500cm²
- Max pressure: 10 bars
- Min flushing pressure: 2,8 - 3,5 bars *
- Flushing capacity: 9 - 11m³/h
- Flushing water: ± 60 ltr/module
- Max operating temperature: 60°C
- Connection filter: 2"
- Ph 4-11 resistant (option: less than 4, ask for the options)
- Filter discs 400 - 200 - 130 - 100 - 50 - 20 microns (on request: 10 - 5 microns)

Low-pressure model DLP:

- 6 bars
- Min flushing pressure: 1,5 bars *

* depending on fineness of the filter discs



Galileo L Ext.

Galileo L automatic disc filter

Technical data

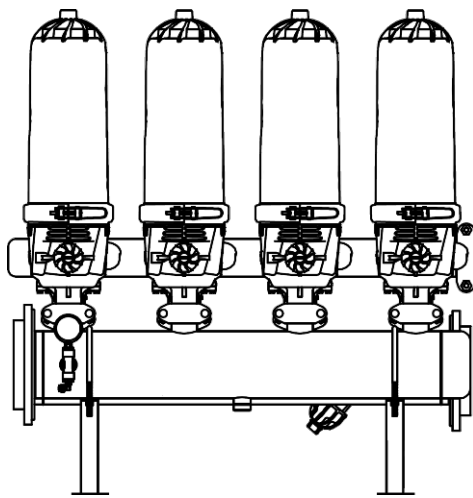
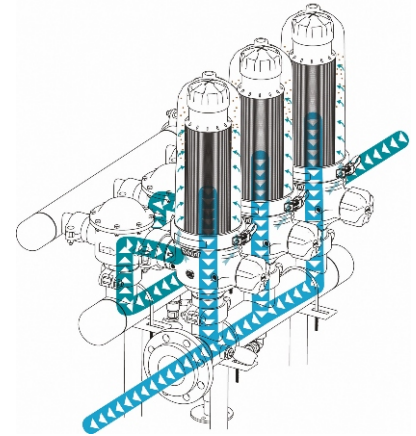


Options:

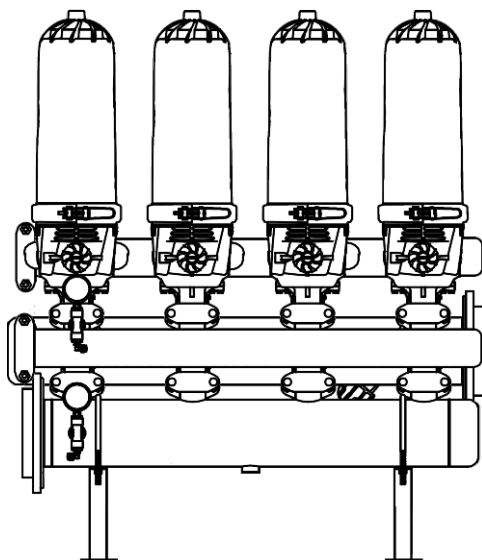
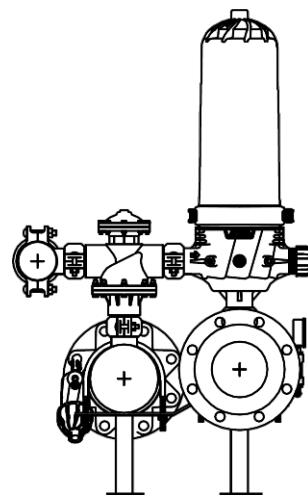
- External flushing
- Drinking water approval
- Seawater-resistant

Materials:

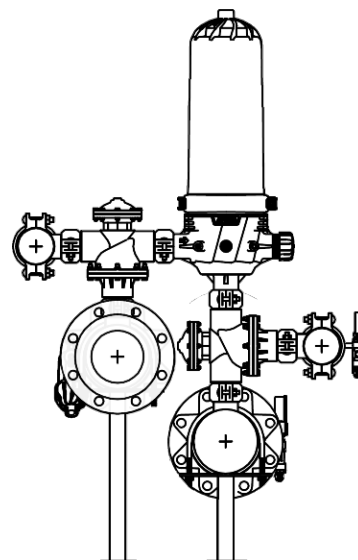
- Filter body: reinforced polyamide (option: polypropylene)
- Filter discs: polypropylene
- Manifold: HDPE
- Flushing valve: Stainless steel 400, polyamide
- Valve(s): plastic
- Other: polyamide, stainless steel, NBR



Galileo L



Galileo L Ext.



Subject to modifications.
No liability accepted for errors or misprints